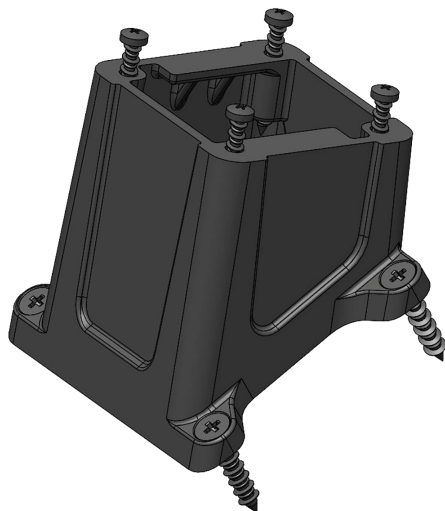


New brackets for N-FORCE and MINI-FORCE pneumatic controls

We are pleased to inform you that two new brackets are now available for N-FORCE and MINI-FORCE pneumatic controls series.

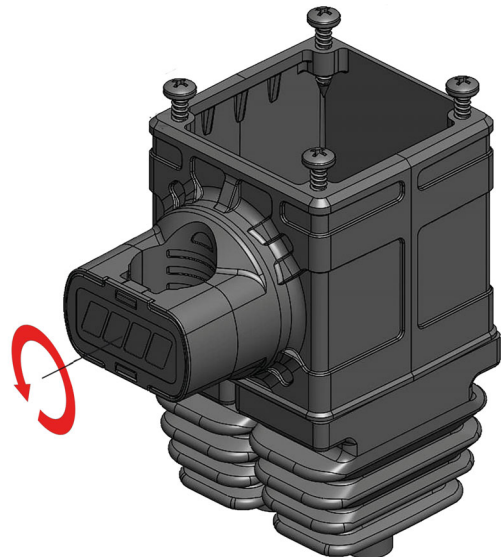
Angled bracket for MINI-FORCE controls, allowing the installation on both dashboard and cabin floor.

Ordering code:
10000270618



Oriente handle bar for N-FORCE controls, available for diameter 22 or 25mm bar, allowing the installation in multiple positions at the base of handle bar.

Ordering code:
10000270627 (Ø22mm)
10000270636 (Ø25mm)



Mounting examples



Cabin floor installation



Dashboard installation

